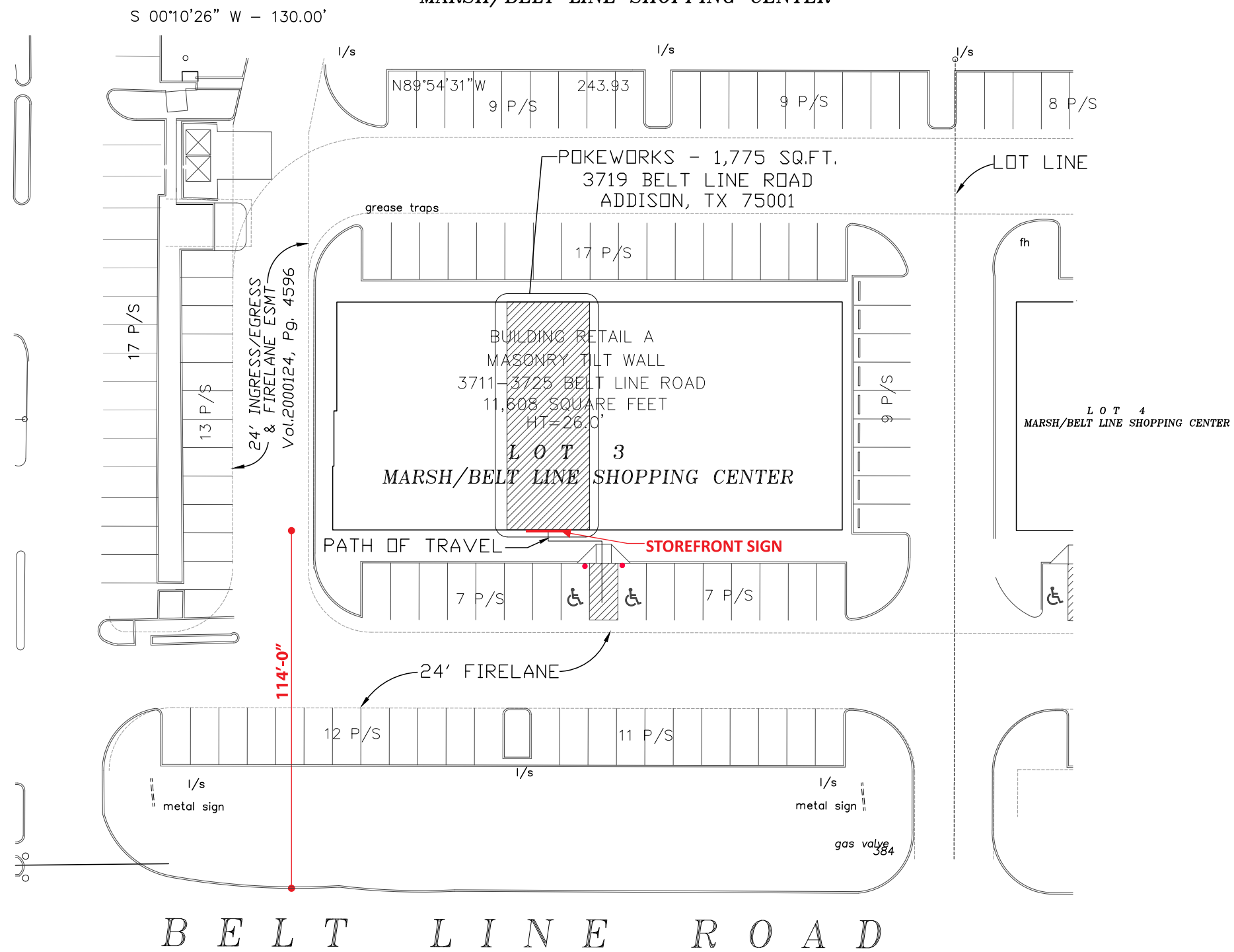


**LOT 1
MARSH/BELT LINE SHOPPING CENTER**

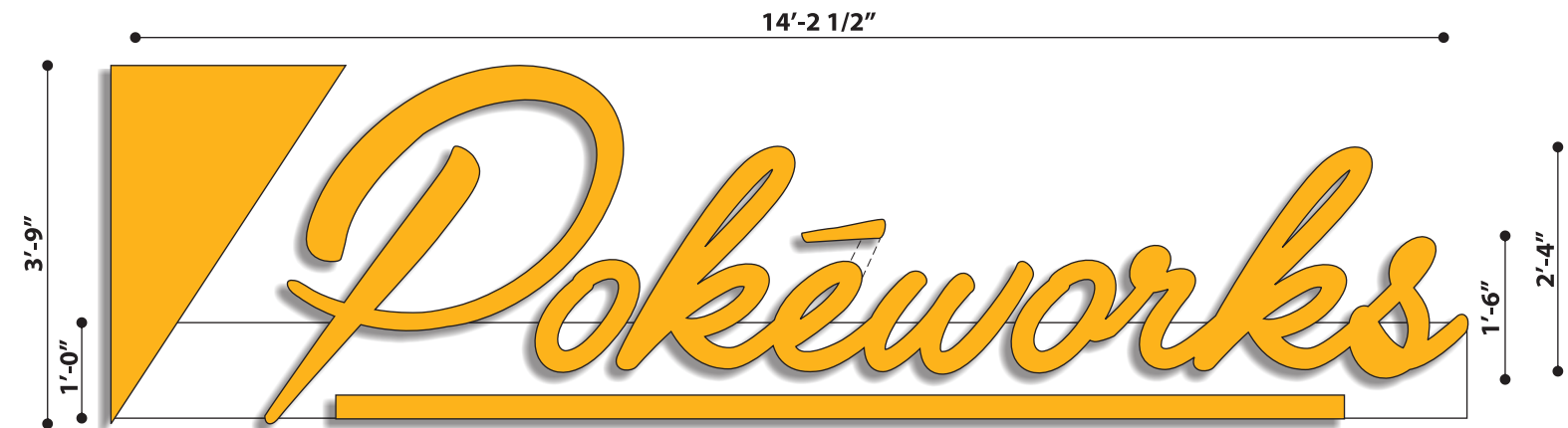


Customer: Pokeworks	
Project No:	Scale: VARIES
Date: 1-12-22	Drawn By: TD
Location & Site No: ADDISON, TX	

Description: Exterior wall sign.
Revised: 3-25-22 - Chg'd size per city code.
Revised:

Customer Approval: Graphics and colors on file will be used unless otherwise specified by customer. Please review drawing carefully. By signing below, you agree to graphics as shown above, and to location of sign as shown. Please return signed copy.	
CUSTOMER SIGNATURE _____	DATE _____
LANDLORD SIGNATURE _____	DATE _____

PROPOSED



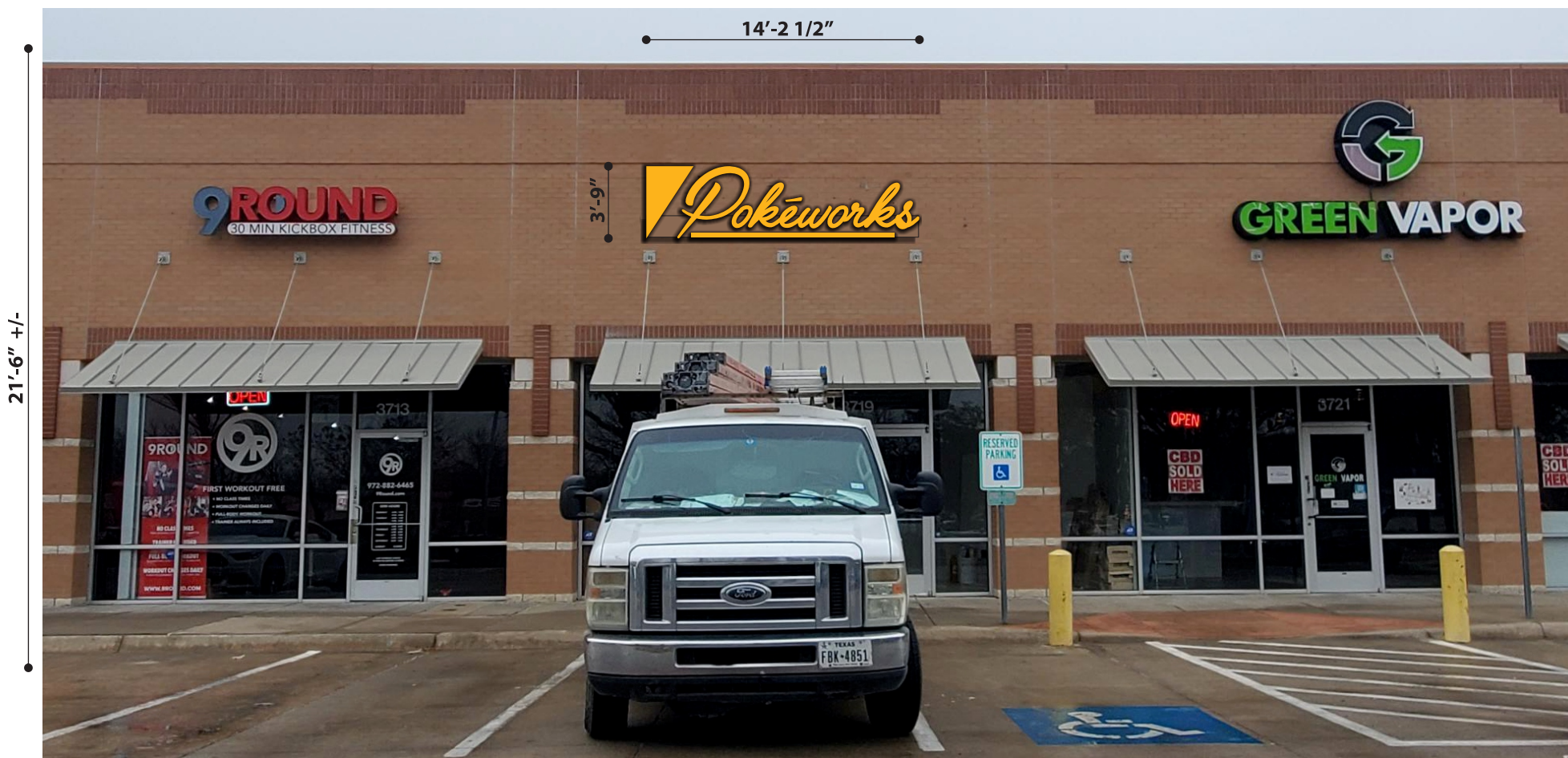
RACEWAY MOUNTED INTERNALLY ILLUMINATED INDIVIDUAL CHANNEL LETTERS

(1) set required

Scale: 1/2"=1'-0"

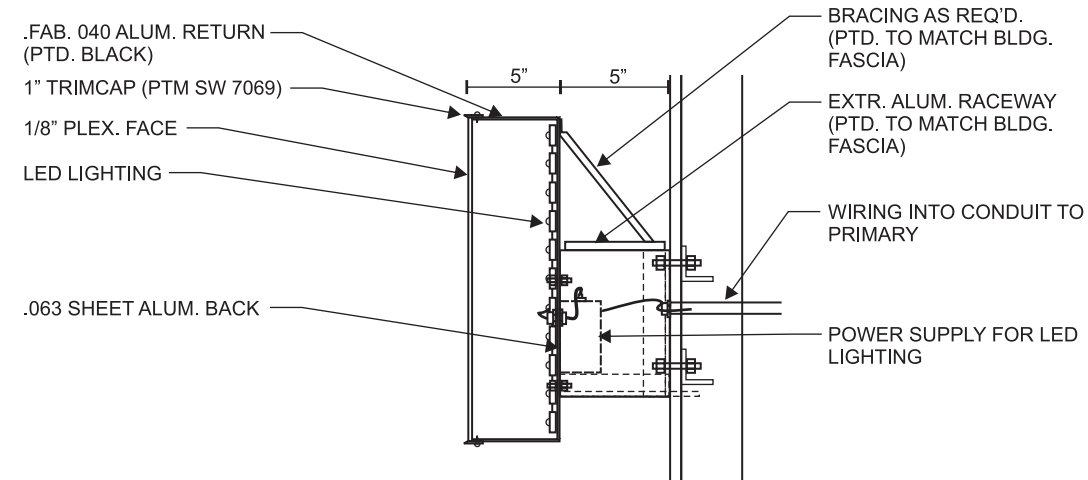
53.25 sq. ft.

25'-0" LEASE LENGTH



STOREFRONT ELEVATION

Approx. Scale: 1/8"=1'-0"



FACE CHANNEL LETTER SECTION W/ RACEWAY

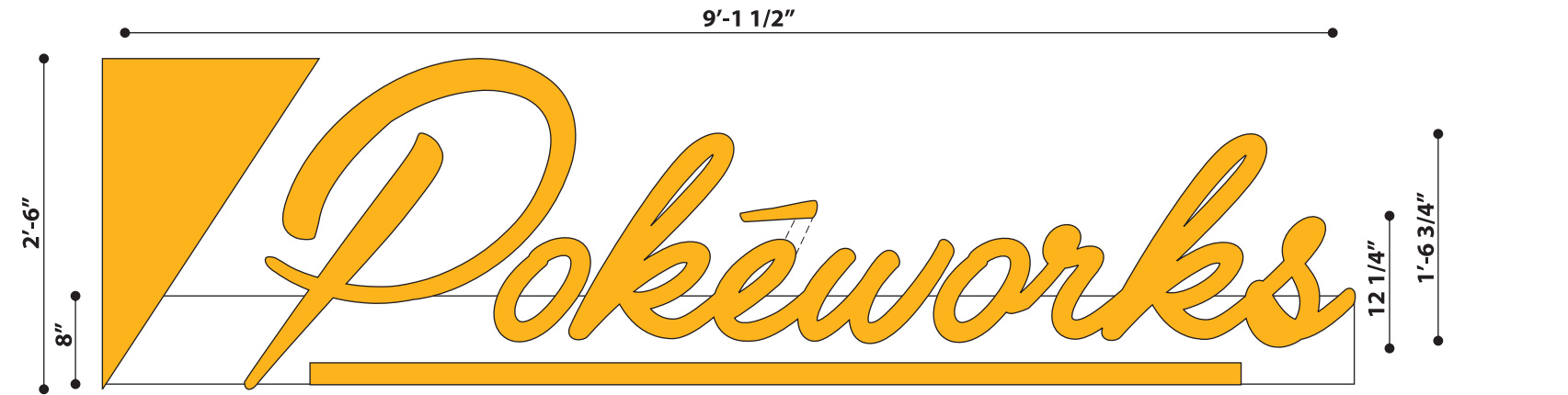
SCALE: 3/4"=1'-0"

Customer: Pokeworks	
Project No:	Scale: VARIES
Date: 1-12-22	Drawn By: TD
Location & Site No: ADDISON, TX	

Description: Exterior wall sign.	
Revised:	
Revised:	

Customer Approval: Graphics and colors on file will be used unless otherwise specified by customer. Please review drawing carefully. By signing below, you agree to graphics as shown above, and to location of sign as shown. Please return signed copy.	
CUSTOMER SIGNATURE _____	DATE _____
LANDLORD SIGNATURE _____	DATE _____

APPROVED AT CURRENT GUIDELINES



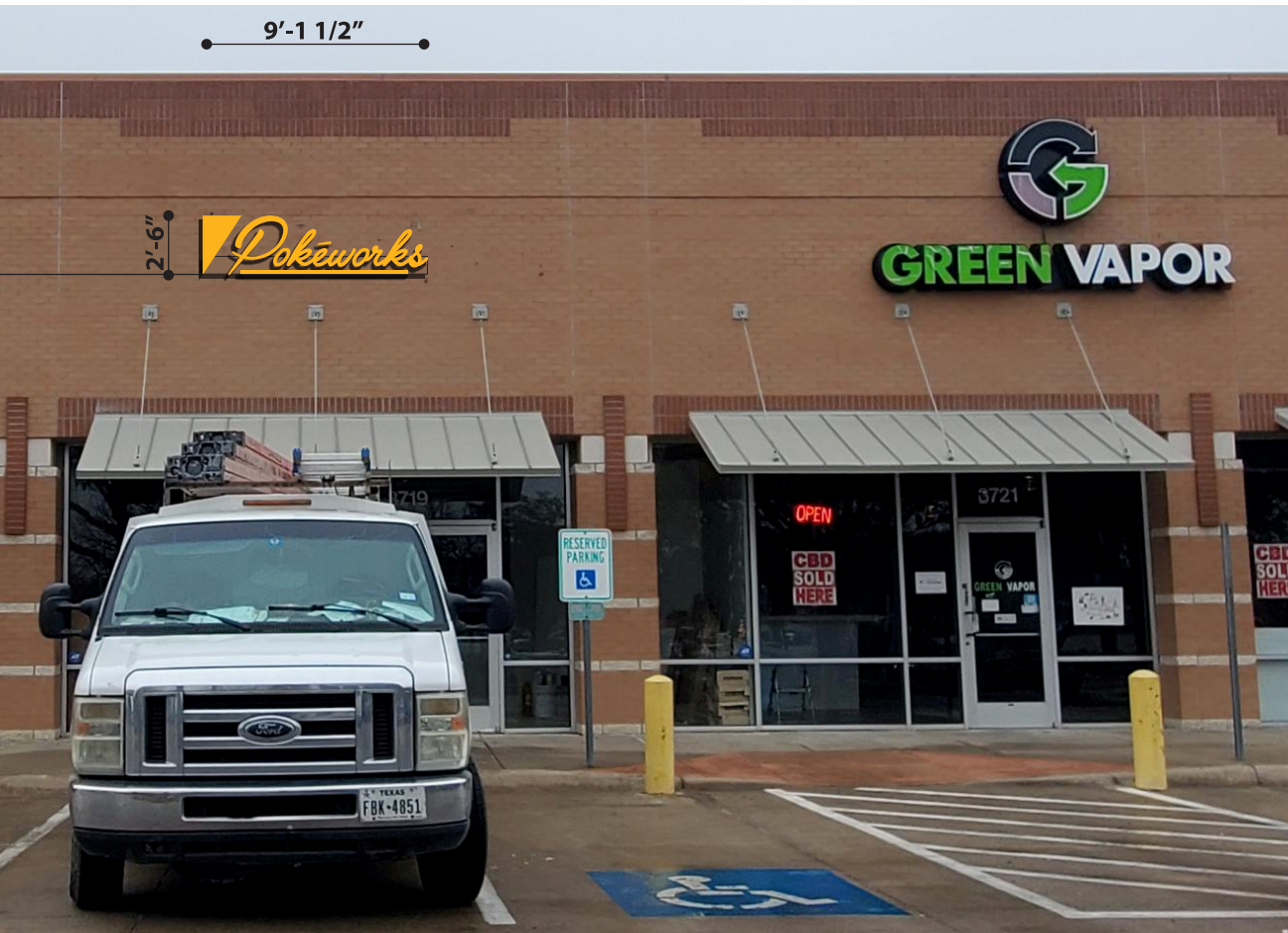
RACEWAY MOUNTED INTERNALLY ILLUMINATED INDIVIDUAL CHANNEL LETTERS

(1) set required

Scale: 3/4"=1'-0"

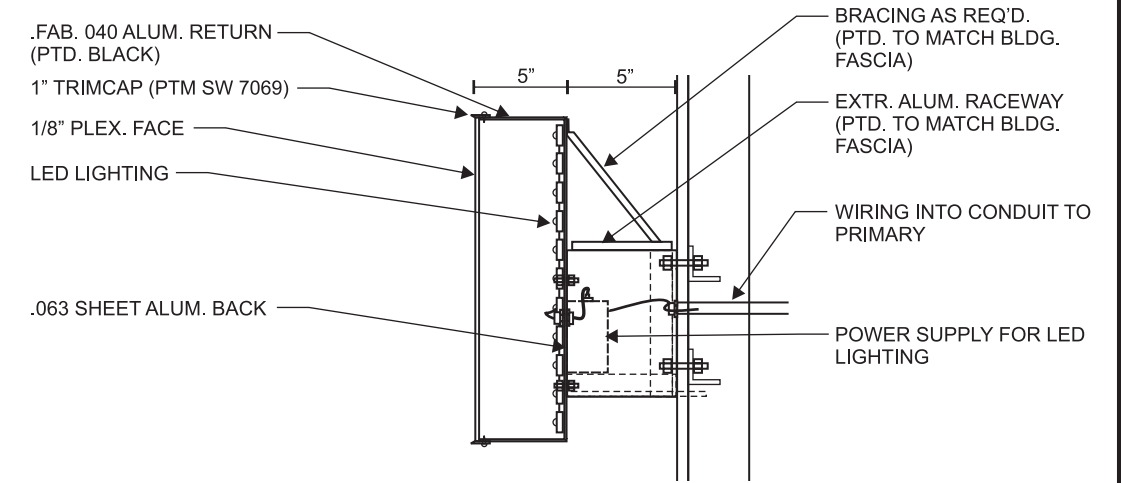
22.81 sq. ft.

25'-0" LEASE LENGTH



STOREFRONT ELEVATION

Approx. Scale: 1/8"=1'-0"



FACE CHANNEL LETTER SECTION W/ RACEWAY

SCALE: 3/4"=1'-0"

Customer: Pokeworks	
Project No:	Scale: VARIES
Date: 1-12-22	Drawn By: TD
Location & Site No: ADDISON, TX	

Description: Exterior wall sign.
Revised: 3-25-22 - Chg'd size per city code.
Revised:

Customer Approval: Graphics and colors on file will be used unless otherwise specified by customer. Please review drawing carefully. By signing below, you agree to graphics as shown above, and to location of sign as shown. Please return signed copy.	
CUSTOMER SIGNATURE _____	DATE _____
LANDLORD SIGNATURE _____	DATE _____
PAGE: 1	